

**225° MASTHEAD / 135° STERN / 360° ANCHOR LIGHT  
SINGLE, HORIZONTALLY MOUNTED (POWER BOATS)**

2 nautical miles	201-020 (<12m / <39.4')
3 nautical miles	201-021 (12m – 20m / 39.4' - 65.6')

This LED navigation light consists of three high-power LEDs that produces light in the specified angle utilizing special designed PMMA light guides.

The precision machined 6082 aluminium housing with an anodized surface makes the light a rugged and durable housing for the LEDs and electronics contained within.

The interior is completely filled with a special potting resin making it water- and vibration proof.

Produced in our in-house manufacturing facility to meet and exceed exacting standards such as EN14744 and UL1104, under a quality management system continuously surveyed by Lloyds Register Quality Assurance.

Each light is subjected to final testing for a minimum of 16 hours of continuous operation bringing the total test time beyond 24 hours.

This navigation light is in compliance with the following standards:

- COLREG72
- EN14744
- IEC 60945
- USCG (UL1104)

Together with an appropriate Control & Monitoring System, such as Lopolight's own NLC\* this navigation light can form part of an IMO MSC 253(83), LY3 and LY4 compliant system.

\*) information found here: [www.lopolight.com/NlcPanel](http://www.lopolight.com/NlcPanel)



Technical specifications**201-020;**

Vessel size: &lt;12m (&lt;39.4')

Visibility: &gt;2 nautical mile

Intensity: &gt;5,4cd

Power consumption;

Masthead: 1,7 Watt; Current: 0,14A @12 VDC - 0,08A @24 VDC

Masthead / Stern (Anchor): 2,3 Watt; Current: 0,17A @12 VDC - 0,11A @24 VDC

**201-021;**

Vessel size: 12m – 20m (39.4' – 65.6')

Visibility: &gt;3 nautical miles / &gt;2 nautical miles

Intensity: &gt;15cd / 5,4cd

Power consumption:

Masthead: 2,9 Watt; Current: 0,23A @12 VDC - 0,13A @24 VDC

Masthead / Stern (Anchor): 3,8 Watt; Current: 0,28A @12 VDC – 0,18A @ 24 VDC

Mounting: **Horizontal**, see K-Lock sheet for options

Operating voltage: 10 - 32 VDC

Number of LEDs: 2 / 1

Light colour: **White**

Operating temperature: -25°C to +55°C

IP rating: **IP68**Connection: 1 cable consisting of 3 x 0,5 mm<sup>2</sup> leads, a screen and insulation.

- Red lead = Masthead power
- Black lead = GND
- White lead = Masthead & Stern (Anchor) power

Certification: USCG (UL1104): OK - Wheelmark: Pending

The product is in compliance with the following standard(s):

COLREG72/ EN14744 / IEC 60945 / USCG (UL1104)

Dimensions: **See drawing**Weight: **0,53kg**Warranty:

Lopolight products are covered by a 5-year limited warranty.

Warranty conditions can be found on [www.lopolight.com/Home/Service](http://www.lopolight.com/Home/Service)Included in the standard package:

- 1 pc. Navigation light, pre-cabled with 0,75m marine grade cable on HDPE base
- Installation instructions

## Ordering information

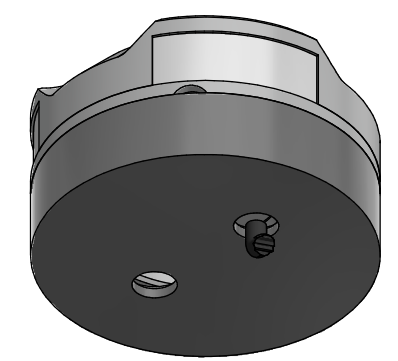
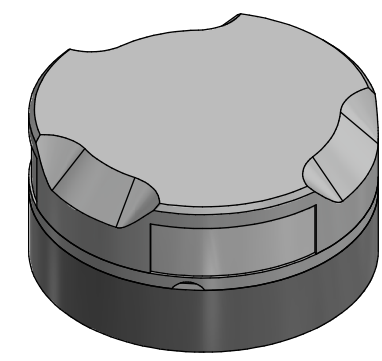
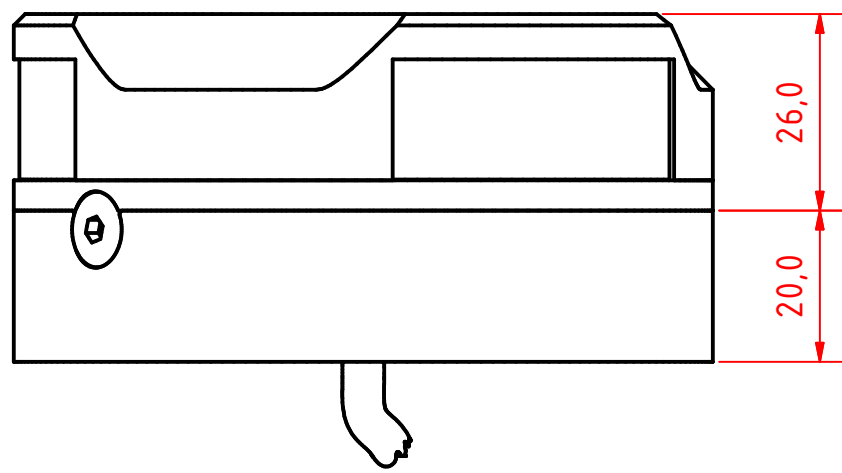
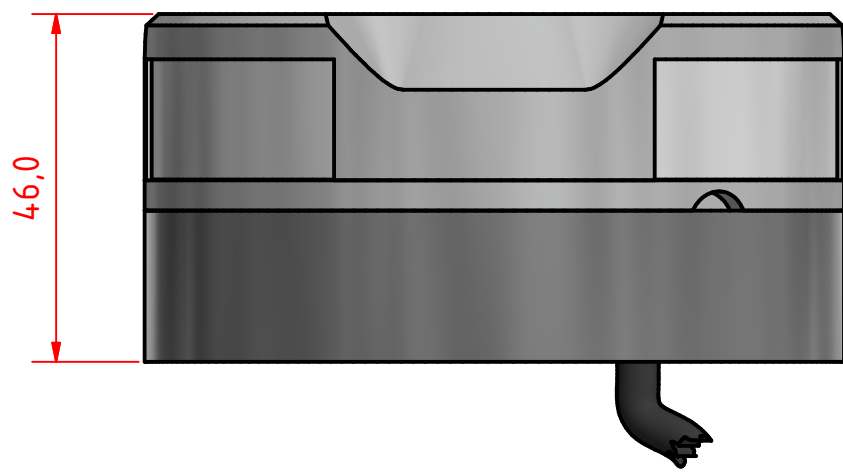
### 201-020 (2 Nautical miles visibility)

BASE OPTION	CABLE LENGTH	PART NUMBER SILVER FINISH	PART NUMBER BLACK FINISH
400-038 (drawing G) HDPE base (standard)	0,75m / 2.5' (standard)	201-020	201-020-B
400-034 (drawing A -D) CSCD base	0,75m / 2.5'	201-020-CSCD	201-020-B-CSCD
400-035 (drawing E - F) CD base	0,75m / 2.5'	201-020-CD	201-020-B-CD
400-036 (drawing I) Ultra-low base	0,75m / 2.5'	201-020-UL	201-020-B-UL

## Ordering information

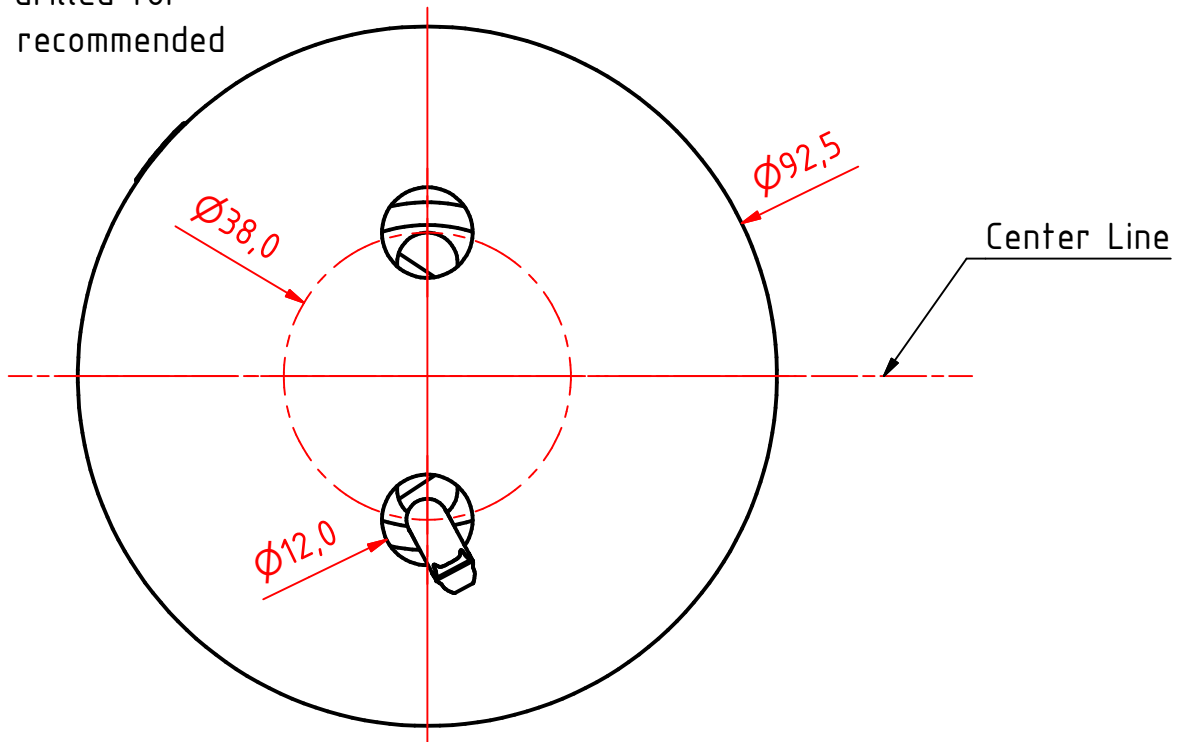
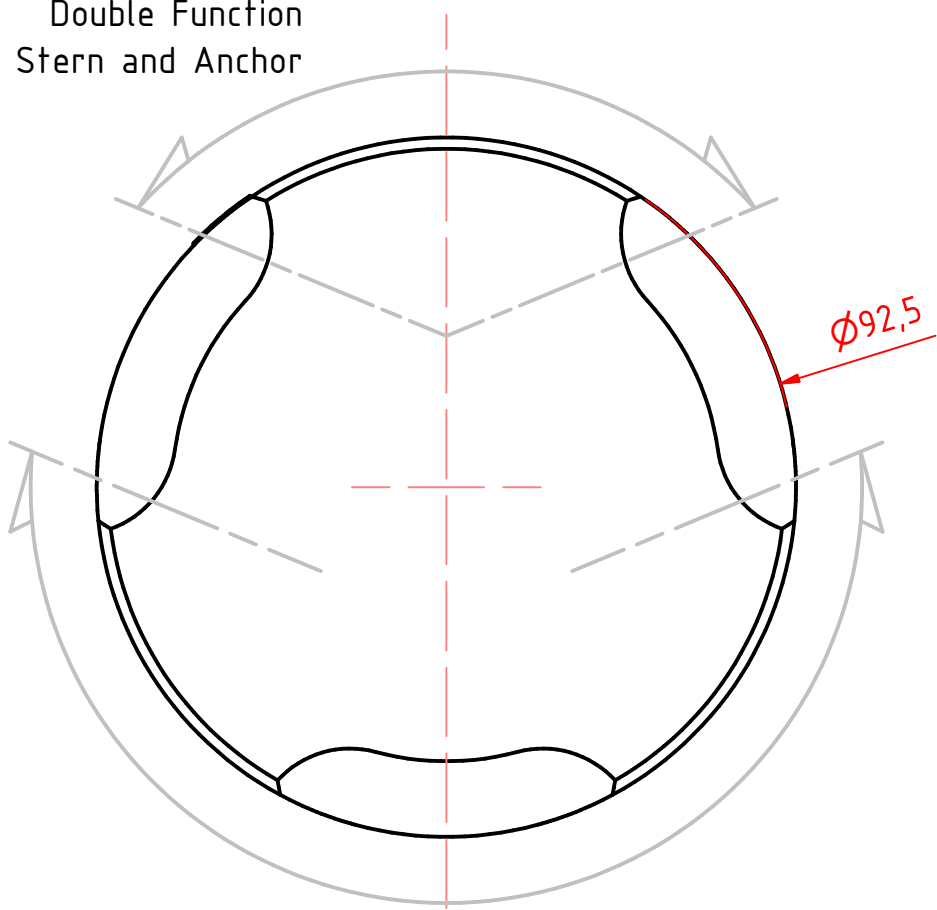
### 201-021 (3 Nautical miles visibility)

BASE OPTION	CABLE LENGTH	PART NUMBER SILVER FINISH	PART NUMBER BLACK FINISH
400-038 (drawing G) HDPE base (standard)	0,75m / 2.5' (standard)	201-021	201-021-B
400-034 (drawing A - D) CSCD base	0,75m / 2.5'	201-021-CSCD	201-021-B-CSCD
400-035 (drawing E - F) CD base	0,75m / 2.5'	201-021-CD	201-021-B-CD
400-036 (drawing I) Ultra-low base	0,75m / 2.5'	201-021-UL	201-021-B-UL



**Note:**  
 The PE Plastic base is intended for fitting on site and can be either drilled for mounting screws from above. 6mm screws with nuts and washers are recommended for secure mounting.

135° White  
 Double Function  
 Stern and Anchor

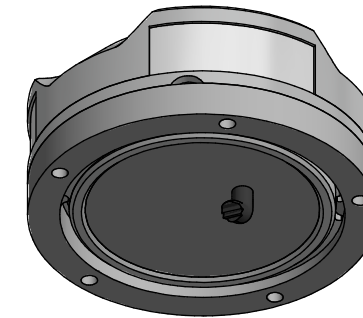
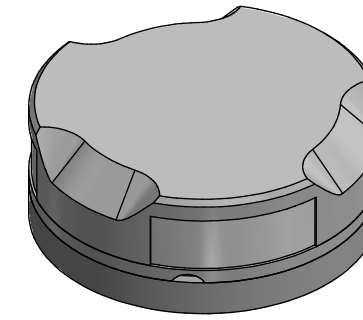
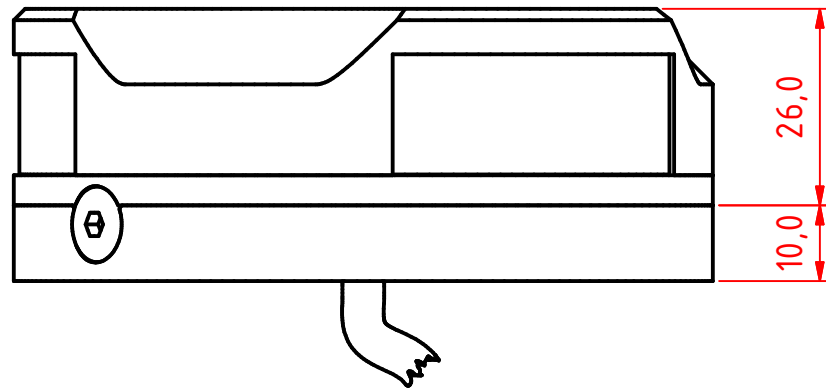
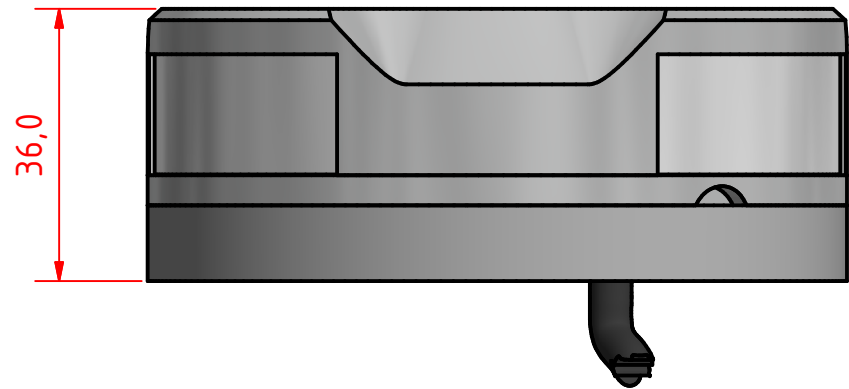


Rev1: 17/01/2019 Change on the name on the title block from masthead, anchor to Masthead/Stern/Anchor

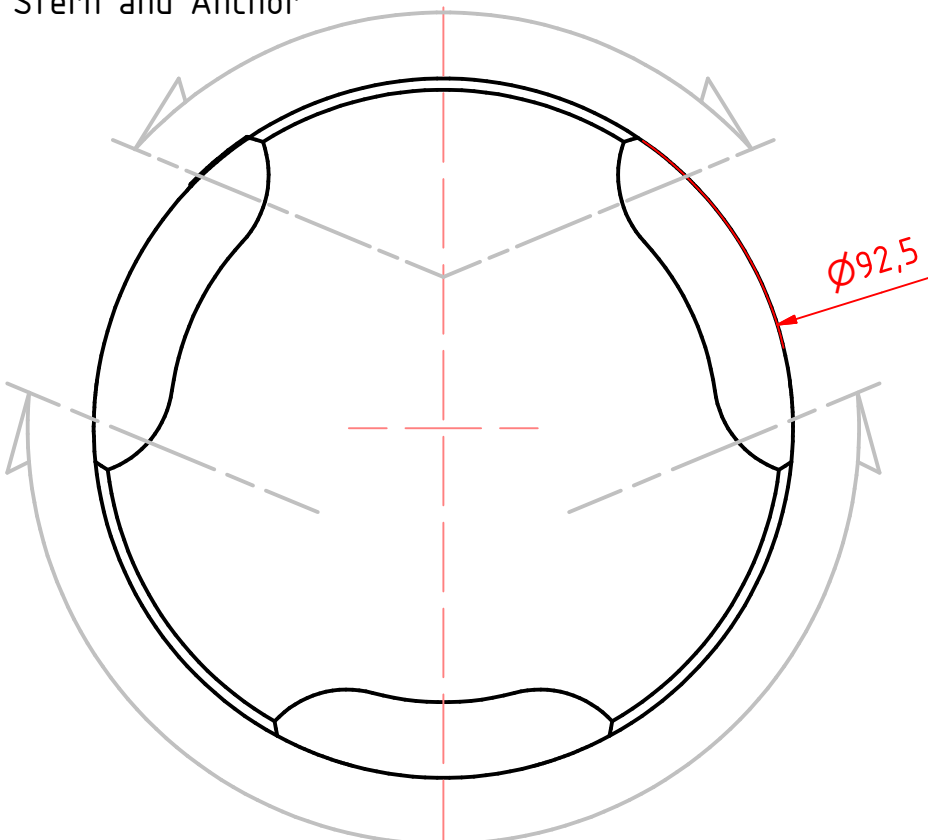
<b>201-020 2nm Masthead/Stern/Anchor, on a 400-038 PE std base. Power Boat light</b>			
DRAWING NO.:	REV. NO.:	SIZE:	DRAWN BY:
201-020GA	1	A3	Sergio
SCALE:	TOLERANCES:	REVIEWED BY:	CREATION DATE:
1:1	DS/ISO 2768-f	PHC	24-04-2018
MATERIAL DESCRIPTION:			
EN 6082, Acrylic, PE (20µ) Silver anodized according to EN ISO 7599 (50µ) Black anodized according to MIL-A 8625F			
This Drawing, and the information within, is the property of Lopolight ApS and may not be used in any form without express permission there from. Lopolight reserves the right to change this drawing and assumes no liability for the information communicated herein. Use of dimensions and other information in this drawing is at the users own risk.			

**LOPOLIGHT**  
 Lopolight ApS  
 Bakkegaardsvej 513  
 DK-3050, Humlebaek  
 Denmark  
 www.lopolight.com  
 Tel:(+45) 32 48 50 30 Fax:(+45) 32 48 50 32  
 info@lopolight.com

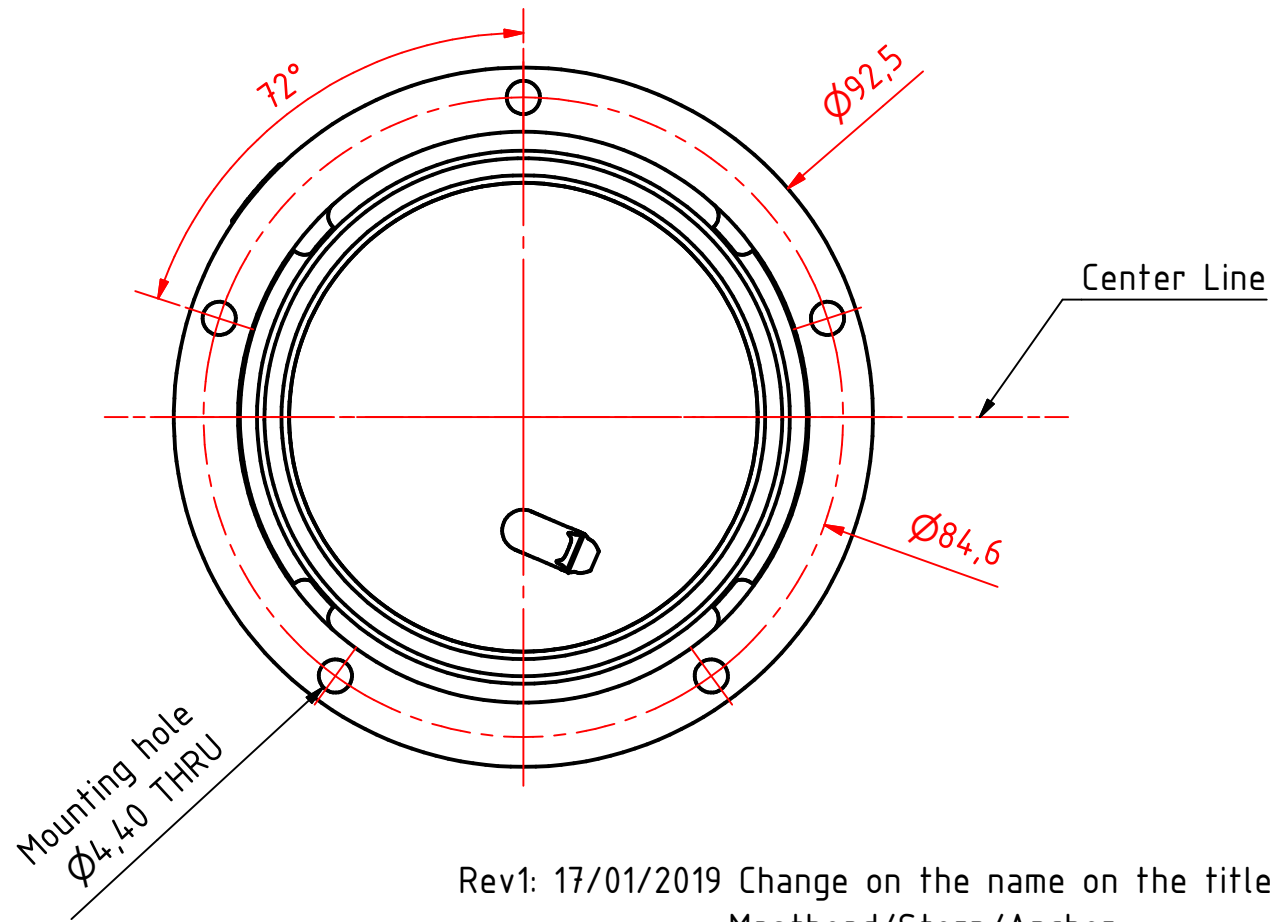




135° White  
Double Function  
Stern and Anchor



225° Masthead Only



Rev1: 17/01/2019 Change on the name on the title block from masthead, anchor to Masthead/Stern/Anchor

**201-020 2nm Masthead/Stern/Anchor, on a 400-036 Ultra Low profile base. Power Boat light**

DRAWING NO.: 201-020IA	REV. NO.: 1	SIZE: A3	DRAWN BY: Sergio
SCALE: 1:1	TOLERANCES: DS/ISO 2768-f	REVIEWED BY: PHC	CREATION DATE: 24-04-2018

MATERIAL DESCRIPTION:  
**EN 6082, Acrylic, PE** (20µ) Silver anodized according to EN ISO 7599 (50µ) Black anodized according to MIL-A 8625F

This Drawing, and the information within, is the property of Lopolight ApS and may not be used in any form without express permission there from. Lopolight reserves the right to change this drawing and assumes no liability for the information communicated herein. Use of dimensions and other information in this drawing is at the users own risk.



Lopolight ApS  
Bakkegaardsvej 513  
DK-3050, Humlebaek  
Denmark  
www.lopolight.com

Tel:(+45) 32 48 50 30 Fax:(+45) 32 48 50 32  
info@lopolight.com

